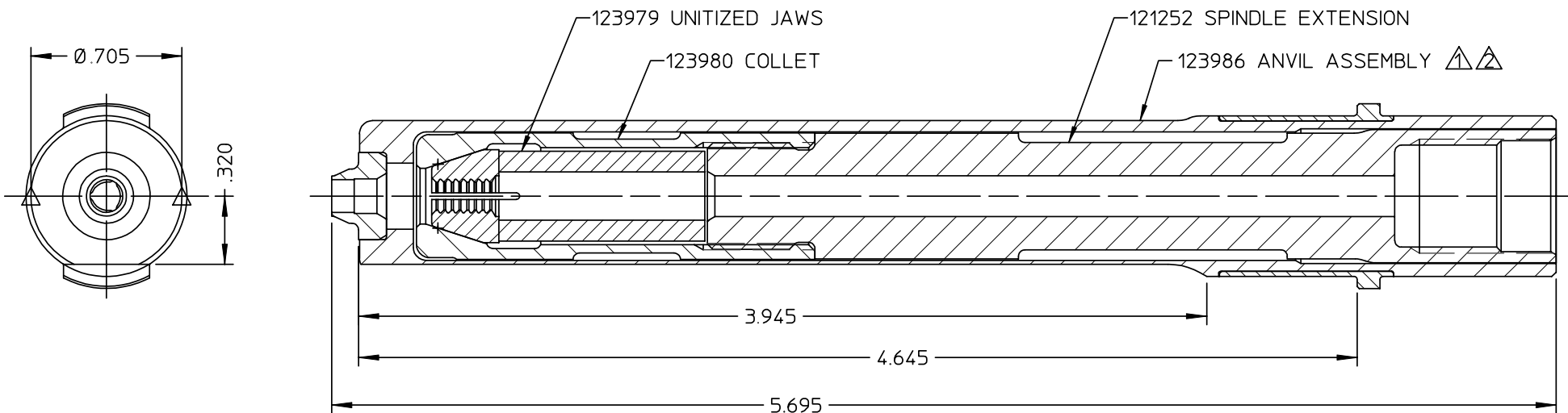


DATA SHEET



Alcoa Fastening Systems

Commercial Products
1 Corporate Drive, Kingston, NY 12401

NOSE TYPE:	NON-SELF-RELEASING LONG
FASTENER TYPE:	-06 BB
TOOL(S):	202, 212, 230 352, 2400

Notes: Product Revision: **A**

US Patent: Date: 06/16/03

NOTES:

△ ANVIL ASSEMBLY 123986 CONSISTS OF:
ANVIL HOLDER ASSEMBLY 123985,
ANVIL INSERT 119376.

△ ANVIL HOLDER ASSEMBLY 123985 CONSISTS OF:
ANVIL HOLDER 123984,
RETAINER 120738.

99-2708

Part Number